

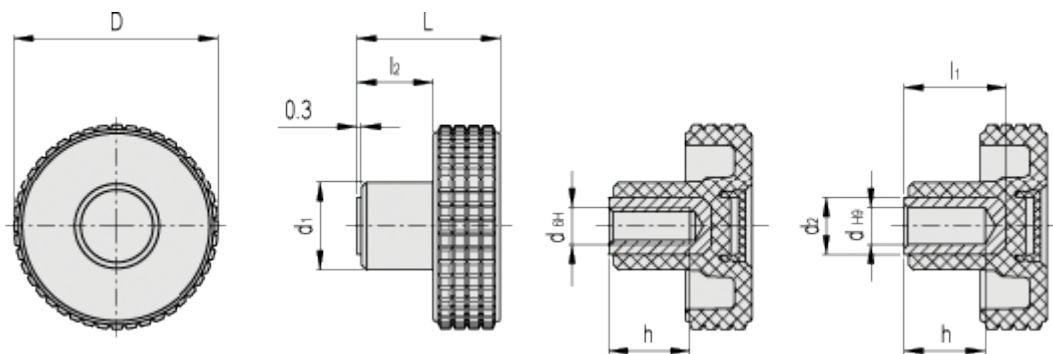
Data Sheet



Article number: 23020345064

Description: E+G Fingergreb MBT.60-B-10-C4, yellow centre cap

Measures



| | | |
|-----|------|--------------|
| D | = 61 | $l_2 = 18.5$ |
| d1 | = 23 | |
| d2 | = 16 | |
| dH6 | = - | |
| dH9 | = 10 | |
| h | = 25 | |
| L | = 39 | |
| l1 | = 30 | |